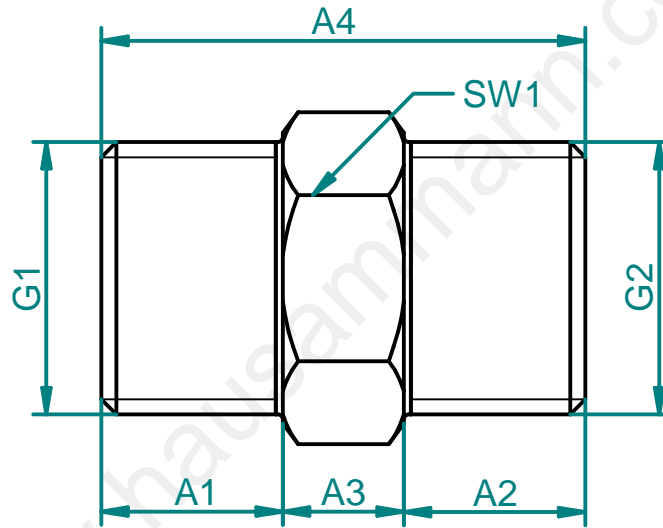


General tolerances ISO 2768-m						Index	Date	Visum	Modification	Index	Date	Visum	Modification
Basic-size	...6	> 6 ...30	> 30 ...120	>120 ...400	> 400 ...1000								
medium	±0.1	±0.2	±0.3	±0.5	±0.8								



Specifications points D,K,H	
D= doc.points	
K= critical	
H= main	

Accord-draw.no.: Origin-draw.no.: Replacement for:	Material:														
	Stahl verzinkt														
	Scale														
	HAUSAMMANN KOMponenten PRODUKTION SYSTEME														
40.667		<table border="1"> <tr> <td></td> <td>Date</td> <td>Visum</td> <td>Phone</td> </tr> <tr> <td>plotted</td> <td>07.10.11</td> <td>E.Z</td> <td></td> </tr> <tr> <td>checked</td> <td></td> <td></td> <td></td> </tr> </table>			Date	Visum	Phone	plotted	07.10.11	E.Z		checked			
	Date	Visum	Phone												
plotted	07.10.11	E.Z													
checked															
		<table border="1"> <tr> <td>Solid Edge</td> <td>Format</td> <td>Index</td> </tr> <tr> <td></td> <td>A4</td> <td>00</td> </tr> </table>		Solid Edge	Format	Index		A4	00						
Solid Edge	Format	Index													
	A4	00													
© 2010, Für dieses Dokument behalten wir uns alle Rechte vor.		© 2 010, Nous nous reservons tous les droits sur ce document		© 2 010, We reserve all rights in connection with this document											